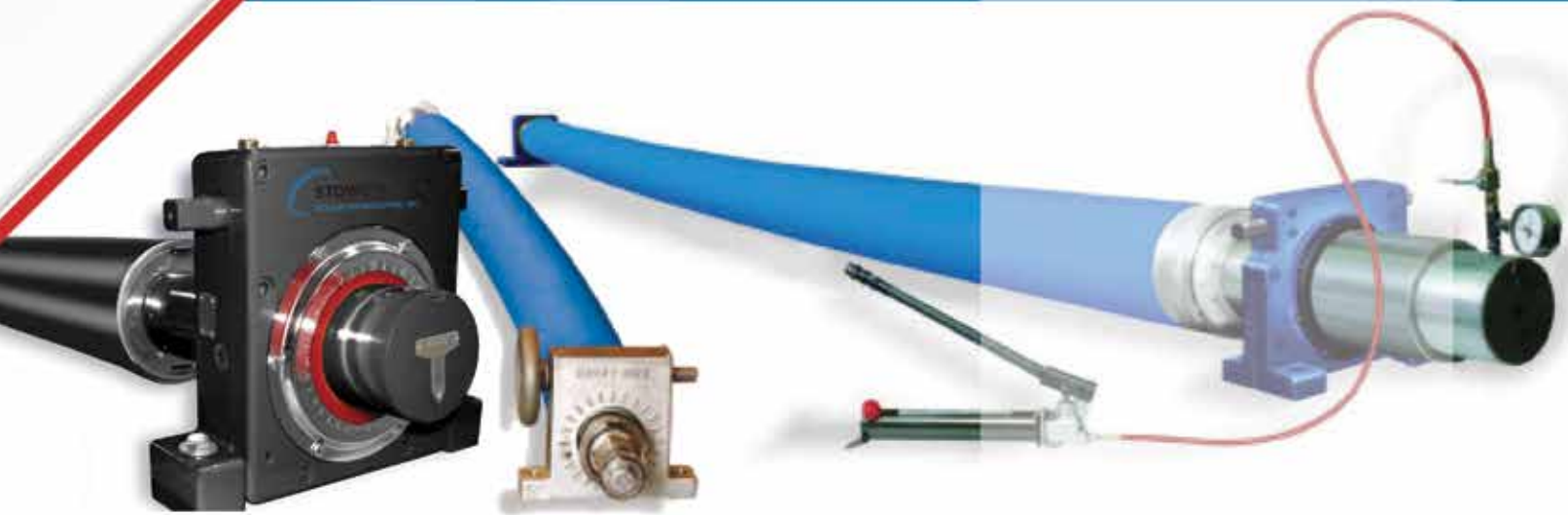


# VARI BOW

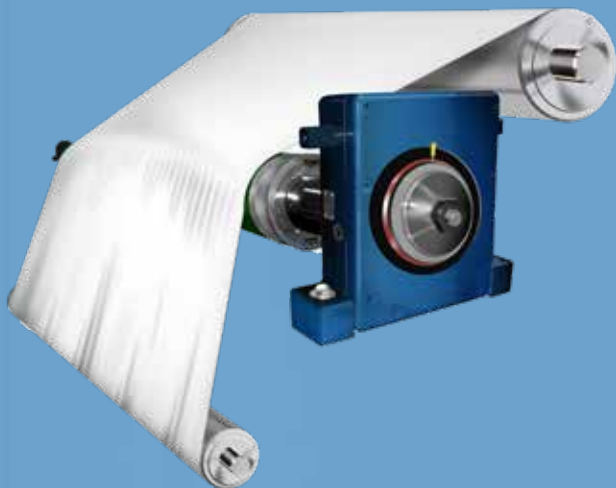
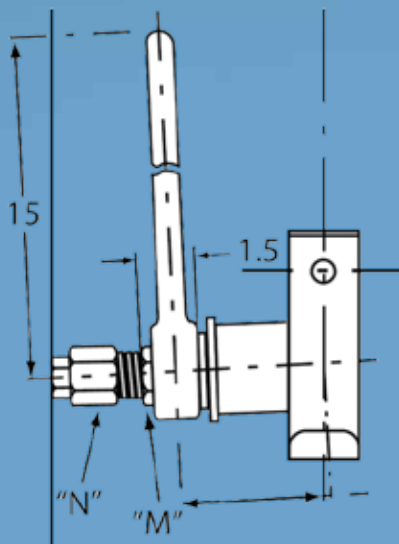
Optimize your web.



Advanced Bowed Roll Technology for Nonwovens

  
**XERIUM**  
XERIUM.COM

## OPTIMIZED BY VARIBOW



### Concept

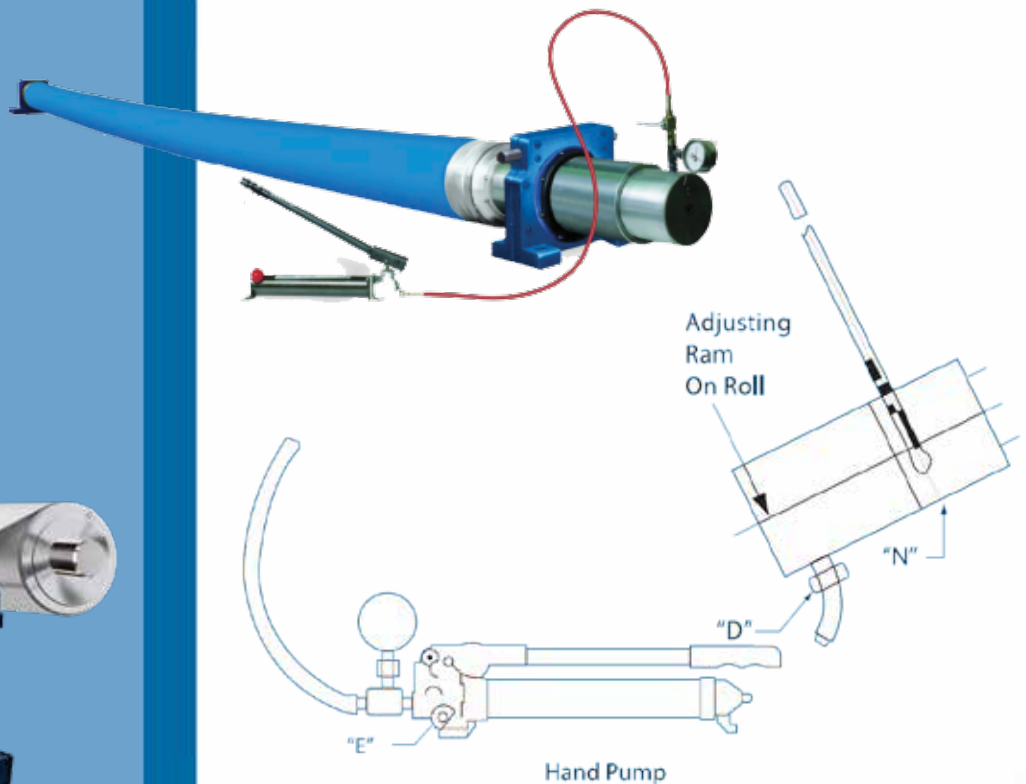
A VARIBOW roll allows the operator to improve the performance of the bowed roll by adjusting the amount of bow. The VARIBOW is recommended when it is difficult to predict the spreading requirements due to variables encountered on machines that run different grades, types and weights of material. VARIBOW rolls are available in sizes from 1-1/2" O.D. to 13-1/4" O.D. On rolls up to 5-1/8", the bow is adjusted by manual ratchet and for rolls 6-1/4" to 13-1/4" O.D., a removable hydraulic pump is fastened to a hydraulic ram mechanism.

### Application

Bowed roll technology is designed to provide precise control of materials produced in web or sheet form.

### Benefits

- Adjustable bow: Ideal for machines where different weights, grades and types of material are produced.
- Special ball bearing machined spools: smooth, vibration-free operation, precision machined, lubricated and sealed against dirt and moisture.
- Special compounded sleeves: high-performance sleeves deliver performance properties and durability for long life.
- AIR PURGE™ System: AIR PURGE system is available to eliminate internal moisture and prevent corrosion in extremely moist applications.



For more information contact your Xerium representative, or visit [Xerium.com](http://Xerium.com).